



3D Disto Software
for Windows®

Leica 3D Disto Tutorial All about Height



- when it has to be **right**

Leica
Geosystems

All about Height

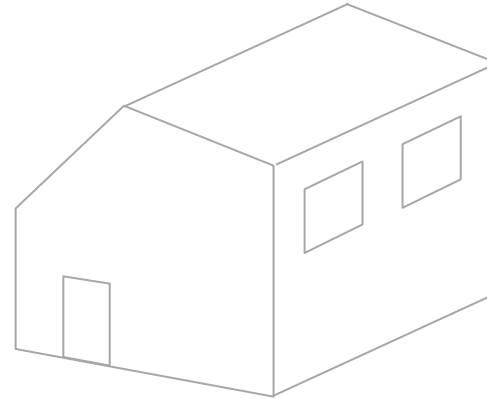
Questions

- How can I measure the height difference between two points?
- What is a „height reference“?
- What is the „height“ of a measured point?




H

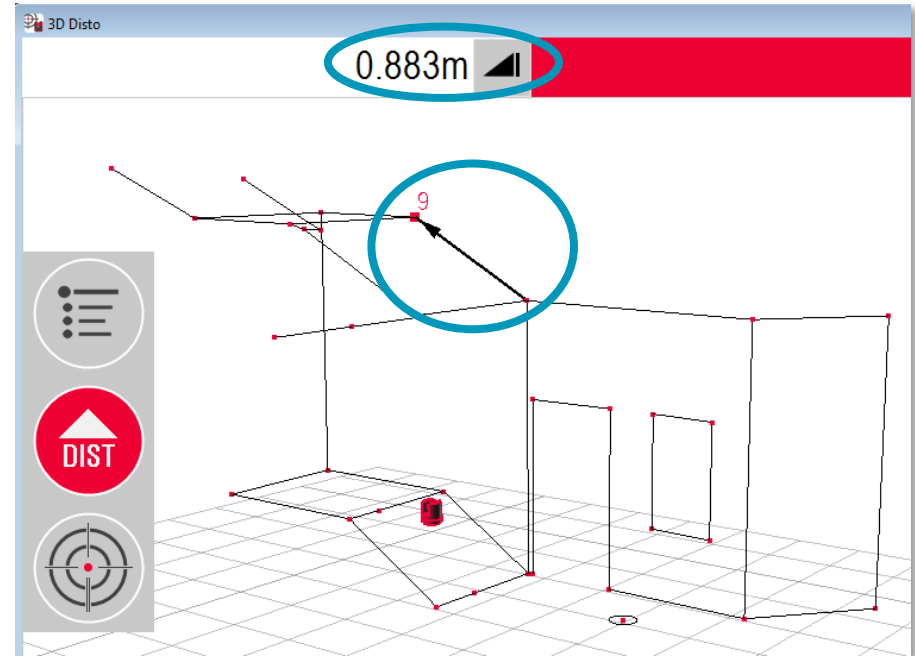
+1.000m



All about Height

How to measure the height difference between two points

- measure both points
- the result is 

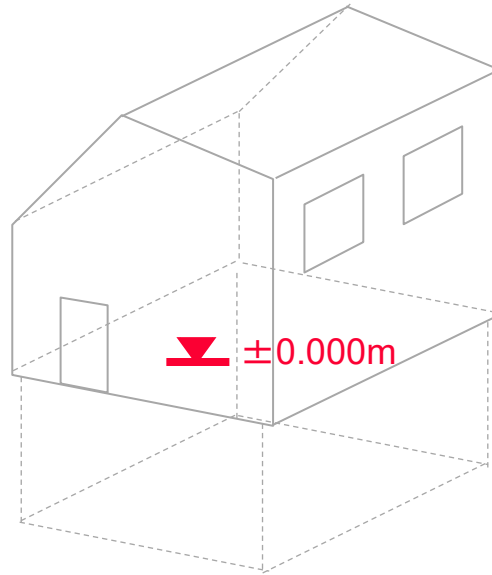


All about Height

What is a „Height Reference“?



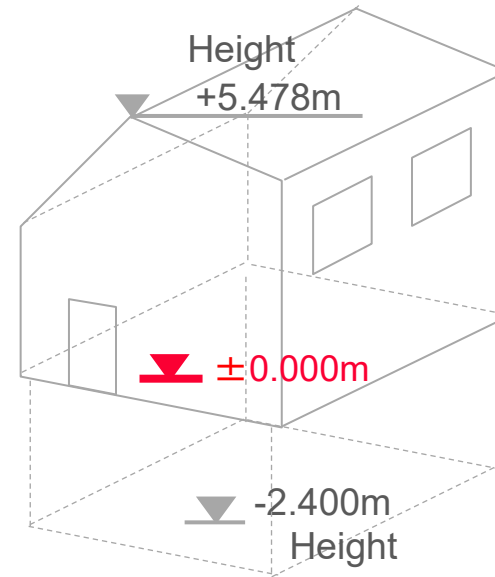
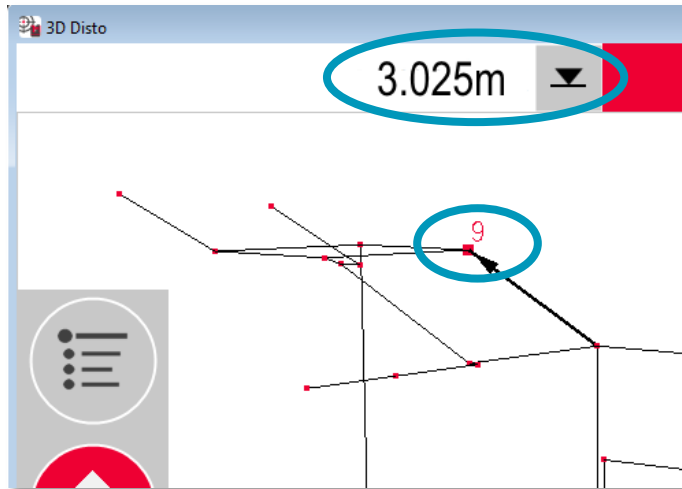
The height reference is a point that all other heights refer to, e.g. the basement floor may be defined as «0.000»



All about Height

What is the „height“ of a measured point?

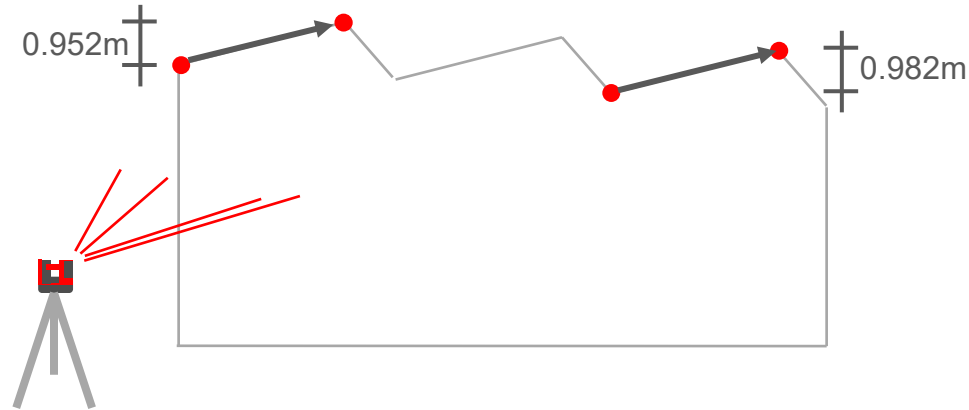
The height is the level of the point in relation to the reference. The result is ▼



All about Height

Advices for Measurements

You don't need to measure a height reference if you are only interested in height differences or if you don't need to fit to a certain level.

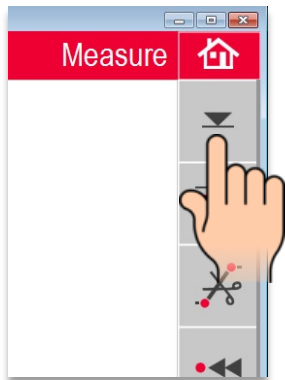


All about Height

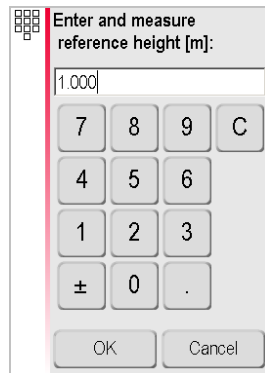
Advices for Measurements

Measure a height reference if your measurement must fit to known level, e. g. to a meter mark.

1: start tool



2: enter reference



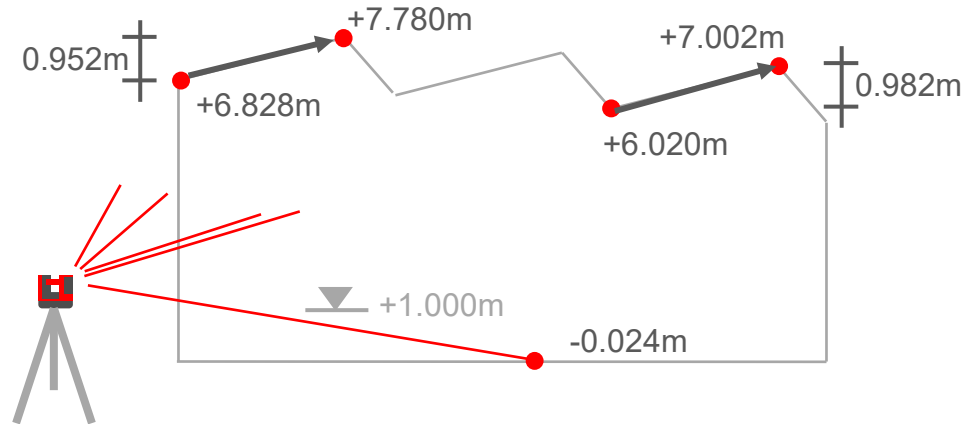
3: measure the meter mark



All about Height

Advices for Measurements

Now measure the object. All heights will fit to the object data.



Leica 3D Disto

Registration at myWorld

Register your 3D Disto on myWorld for:

- warranty extension
- license keys
- more tutorials
- free software updates
- support
- manuals

www.myworld.leica-geosystems.com

